

# UPHIRE

## MEDIUM ELECTRIC SCISSORS



### STANDARD FEATURES

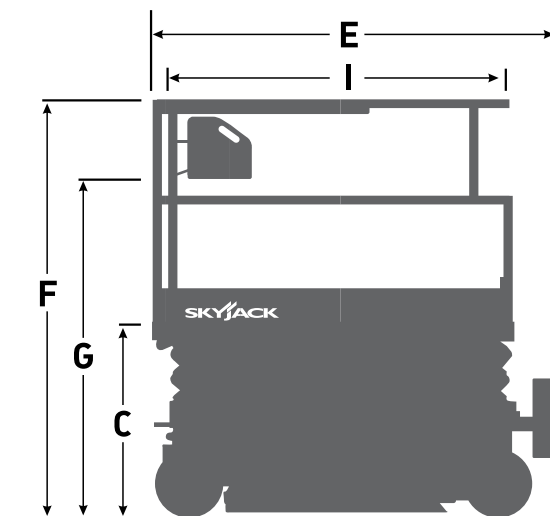
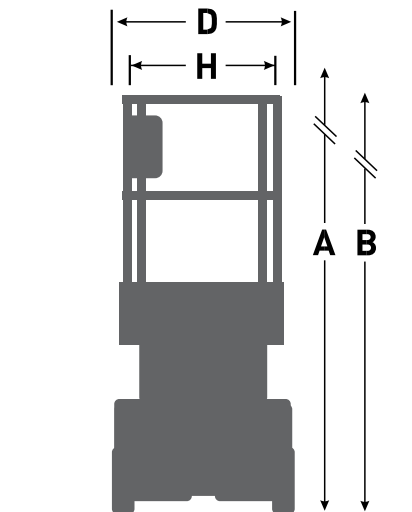
- Drivable at full height
- Variable speed, rear two wheel hydraulic drive
- Dual holding brakes
- SKYCODED™ Color coded and numbered wiring system
- On-board visual interface with diagnostic capabilities
- Shroud style, impact resistant composite control box with extended cable
- Proportional controls for drive & lift functions
- Tilt sensor (3.5° x 1.5°)
- 4' (1.22 m) Roll out extension deck
- 24V DC Power source
- Low voltage battery protection
- 25% Gradeability
- Solid rubber, non-marking tires
- Pothole protection system
- 110V AC Outlet on platform with GFI
- 28 mph (12.5 m/s) Wind rating
- Tilt alarm with drive & lift cut-out
- All motion audible alarm
- Lanyard attachment points
- Operator horn
- Forklift pockets and tie down/lift lugs
- Overload sensing system
- Fold down hinged railing system
- Half height spring hinged entry gate
- Telematics ready
- 2-Year Gold Leaf Warranty (5-year structural warranty)

### OPTIONS

- Light duty pipe rack
- Heavy duty pipe rack
- Board carrier
- Tool caddy
- Flashing light
- Dual flashing lights
- 6' (1.83 m) Powered ext. deck (SJ4726)‡
- ‡adds 251 lbs (114 kg) to unit weight and capacity remains the same
- 800W AC Inverter
- 250 Ah Batteries (cannot be combined with EE rating package)
- AGM Batteries
- Lockable swingout trays
- EE Rating package (not available with telematics keypad)
- Aircraft protection package (SJ4726 only)
- Full height spring hinged entry gate
- Bio oil
- Secondary Guarding Lift Enable (SGLE)
- Non-destructive testing
- ECOTRAY leak containment system
- ELEVATE telematics (3-year or 5-year plans available)
- ELEVATE Battery Management System (BMS)\*
- Warranty options (3-year or 5-year plans available)

# SJ4726/32 ELECTRIC SCISSORS

Dimensions	SJ4726
A Work Height	31' 8" (9.65 m)
B Raised Platform Height	25' 8" (7.82 m)
C Lowered Platform Height	46" (1.17 m)
D Overall Width	47" (1.19 m)
E Overall Length	91.6" (2.32 m)
F Stowed Height (Rails Up)	90" (2.29 m)
G Stowed Height (Rails Down)	75" (1.90 m)
H Platform Width (Inside Dimension)	42" (1.07 m)
I Platform Length (Inside Dimension)	83" (2.11 m)
Specifications	SJ4726
Extension Deck (Roll Out)	4' (1.22 m)
Ground Clearance (Pothole Raised)	4" (10.2 cm)
Ground Clearance (Pothole Deployed)	0.5" (1.3 cm)
Wheelbase	69" (1.75 m)
Weight	5,537 lbs (2,511 kg)
Gradeability	25%
Turning Radius (Inside)	28" (0.71 m)
Turning Radius (Outside)	104" (2.64 m)
Lift Time (With Rated Load)	52 sec
Lower time (With Rated Load)	32 sec
Drive Speed (Stowed)	2.0 mph (3.2 km/h)
Drive Speed (Raised)	0.6 mph (1.0 km/h)
Maximum Drive Height	Full Height
Capacity (Overall)	1,000 lbs (454 kg)
Distributed Capacity (Main Platform)	700 lbs (318 kg)
Distributed Capacity (Extension Deck)	300 lbs (136 kg)
Local Floor Load (With Rated Load)	131 psi (903 kPa)



Overall Floor Load (With Rated Load)	234 psf (1,143 kg/m <sup>2</sup> )
Maximum # of persons at 0 mph (0 m/s) wind rating	3
Maximum # of persons up to 28 mph (12.5 m/s) wind rating	2
Tire Type	Solid, N/M
Tire Size	16 x 5 x 12

# UPHIRE

This brochure is for illustrative purpose only and based on the latest information at the time of printing. Uphire UK. reserves the right to make changes at any time, without notice, to specifications, standard and optional equipment. Consult the Operating Maintenance and Parts Manuals for proper procedures. Work platforms have been tested to comply with ANSI and CSA standards as interpreted by Uphire UK.